



# BathPumps

Distributor Catalogue

- Energy efficient
- Quiet pump operations
- Built for durability, strong and reliable massage
- Industry leading massage performance to leave you rejuvenated and revitalised.



**BALBOA**  
water group

The revitalising touch of warm swirling water enriched with millions of bubbles on your body is the ultimate in therapeutic pleasure.



In perfect harmony with your spa bath the Onga hydromassage pumps deliver a strong, reliable massage with added features:



**Ultimate water massage**

will leave you rejuvenated and revitalised with industry leading water pressure delivered to the spa bath jets.



**Energy efficient**

with more water for less consumed power\*.



**Quiet pump operation**

allows you to relax and be consumed in the soothing bubbling sound of the spa.



**Hygienic**

with self draining and full-flo pump design.



**Versatile**

Suitable for indoor or outdoor mounting without the need of a protective cover.

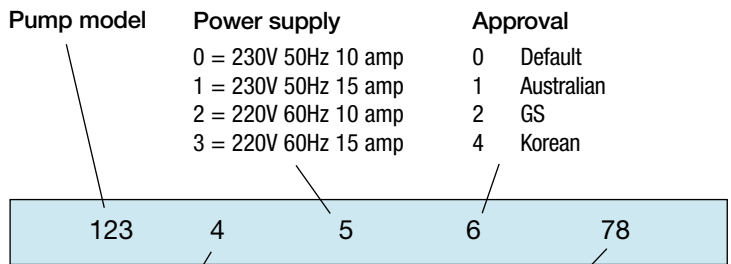
With the reliability, quality and Nationwide service support of the leading Onga brand.

\*pumps without heating element



**Part number nomenclature**

Onga Hydromassage pumps have an 8 digit part number



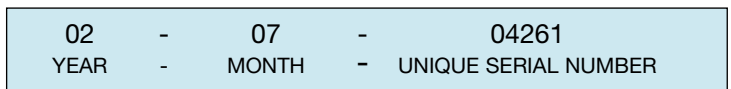
**Model variant**

- 237 (0.75 hp) 1 = Hot pump air switch
- 238 (1 hp) 2 = Hot pump Bathmaster
- 239 (1.25 hp) 3 = Hot pump Bathtronic (ceased June 05)
- 240 (1.5 hp) 8 = Standard pump air switch

**Variations**

when standard product require customised versions, the last two digits will be incremented and recorded. 00 = default value

**Date and serial number nomenclature**

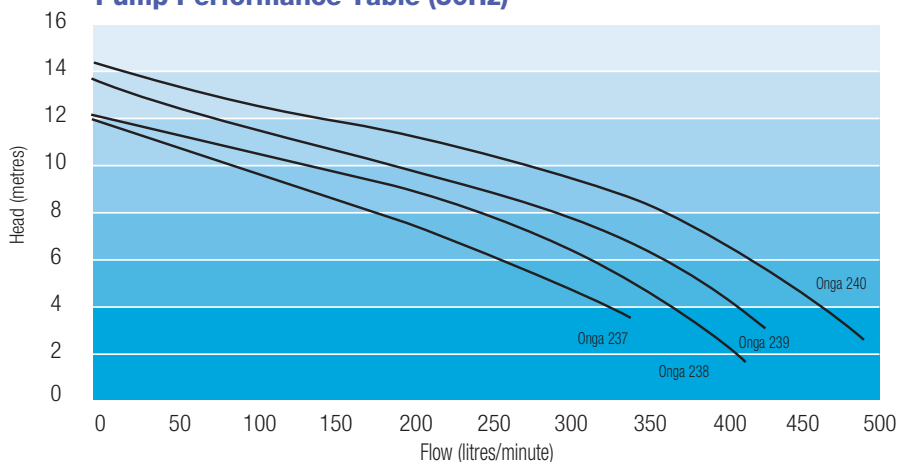


- 02 = 2002
- 03 = 2003
- 04 = 2004
- 05 = 2005

- 01 = Jan
- 02 = Feb

Numerical sequence, unique to each product

**Pump Performance Table (50Hz)**



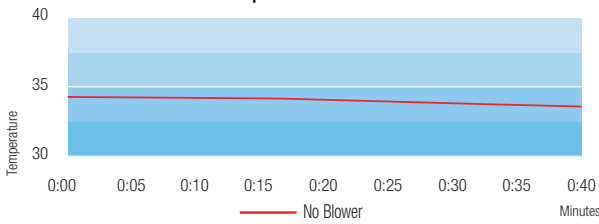
Your Single Source Solution

p 714.384.0384 | f 174.384.0385 | email: info@balboawater.com

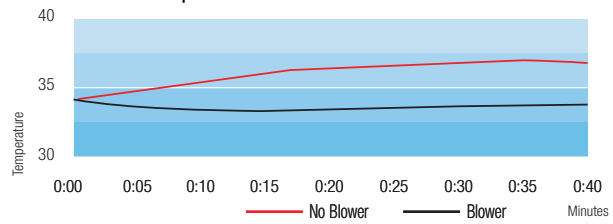
We reserve the right to change technical data without further notice. No copies authorised. All rights reserved. ©2013 Balboa Water Group.

## Comfort Levels

**STANDARD Pump @ 34° C**



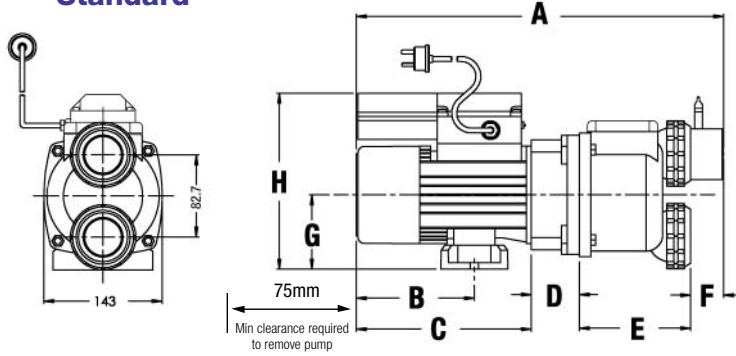
**HOT Pump @ 34° C**



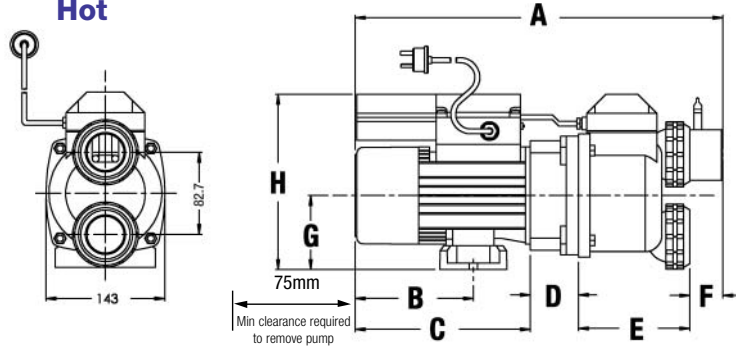
**Disclaimers** Tested for a 200 litre single person spa bath tested under laboratory conditions based on model 238. The information and specifications subject to change without notice.

	Model				Benefits
	Standard	Hot	Bathtronic	Bathmaster	
Approved					Approved to the comprehensive Australian/New Zealand standards.
Massage					Industry leading massage performance to leave you rejuvenated and revitalised.
Silence					Relax and be consumed in the soothing, bubbling sound of your spa.
Hygienic					Self draining and non-clogging pump design allows water flow to the jets without by-pass that may clog with hair, soap scum or exfoliated skin.
Jets					Independent pump control for jet pressure.
Climate					Install indoors or outdoors without a cover.
Operation					Reliable operation from the continuous duty motor.
Installer Friendly					The compact design and self aligning barrel unions assist installation.
Levels of Safety					Multiple safety levels for peace of mind. Includes AS/NZS approvals.
Auto Heat					Guaranteed controlled heat of the dedicated heating element to maximise your bath water temperature.
Comfort Heat					Comfort Heat at your fingertips allows you to control the dedicated heating element.
Dry Fire					In-built protection against Dry Fire. A water pressure sensor controls the timing of the heat boost within safe conditions.
Over Temp					Bathe safely knowing the Onga pump will NOT contribute heat beyond prescribed limits.
Voltage					Intelligent electronics protect your pump when the voltage supply is outside normal limits.
Motor					Fitted with independent motor overload to minimise electrical motor damage.
Run Dry					Dry run safety stops the pump if there is NO water - preserving your pump life.
Blocked Suction					Protecting you and your investment, the intelligent Bathmaster senses NO WATER FLOW and quickly turns the pump off.
Air System					BathmasterPlus can activate WhispairPlus air blower with its intergrated switch system

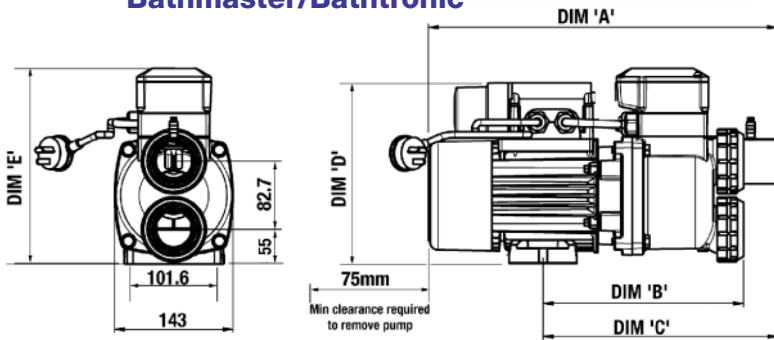
**Standard**



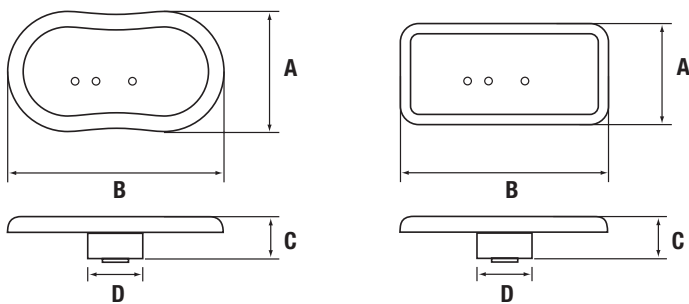
**Hot**



**Bathmaster/Bathtronic**



**Touch Pads**



**Dimension Table**  
Standard/Hot Pumps

Pump Model	A (mm)	B (mm)	C (mm)	D (mm)	E (mm)	F (mm)	G (mm)	H (mm)
237	392	143	217	59	135	40	90	213
238	410	143	217	59	135	40	90	213
239	410	143	217	59	135	40	90	213
240	420	143	226	59	135	40	90	213

Note: Unless otherwise specified, all dimensions in mm.  
Fixing slots accept 8mm fasteners

**Dimension Table**

Bathmaster/Bathtronic Pumps

Pump Model	A (mm)	B (mm)	C (mm)	D (mm)	E (mm)
237	392	243	285	221	245
238	410	243	285	221	245
239	410	243	285	221	245
240	424	243	285	221	245

Note: Unless otherwise specified, all dimensions in mm.  
Fixing slots accept 8mm fasteners

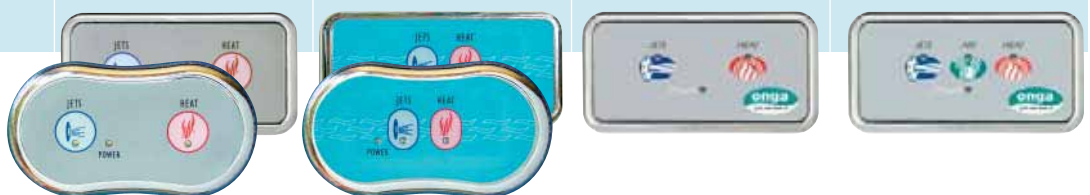
**Dimension Table**

Touch Pads

Type	A (mm)	B (mm)	C (mm)	D (mm)
Kidney Shape	56	101	20	25
Rectangle	50	97	20	25

Note: Unless otherwise specified, all dimensions in mm.

Identification Point	Bathtronic	Bathmaster	Bathmaster V2	BathmasterPlus
Connector	4 pin connector	6 pin connector	6 pin connector	6 pin connector
Distance between buttons	45mm	17mm	36mm	18mm



**Touch Pad notes**

Escutcheon; rectangular shape available for order. Minimum quantities apply. Consult your Onga sales manager.  
Decal; customised Decals available for order. Minimum quantities apply. Consult your Onga sales manager.

Onga spa bath pumps are suitable for clean, non-corrosive bath water (where water is emptied after each bath). For other applications consult your Onga sales manager.

## Construction

Component	Material
Pump Casing:	20%Glass Filled Noryl
Impeller:	20%Glass Filled ABS
Baffle:	20%Glass Filled ABS
End Shield:	Die Cast Aluminium
Shaft Sleeve:	Nylon
Motor Shaft:	Mild Steel
Motor Shell:	Die Cast Aluminium
O-ring's:	Nitrile
Barrel Union:	ABS
Heater Element:	Incalloy
Sound power level	from 65 dBa @ 1 metre

## Operating Conditions

		Standard	Hot	Bathtronic	Bathmaster
Dry Run Protection:	30 seconds delay*				•
Blocked Suction Protection:	3 seconds delay*				•
Voltage Protection:	less than 190V, greater than 260V <sup>†</sup>			•	•
Ambient Temperature:	55°C Maximum	•	•	•	•
Fluid:	Water	•	•	•	•
Water Temperature:					
Primary Heater Cut-Out	40°C		•	•	•
Secondary Safety Cut-Out	45°C**		•	•	•
Maximum Temperature:	70°C***	•	•	•	•
Maximum Working Pressure:	300kPa	•	•	•	•

\*Dry Run/Blocked suction Protection feature isolates pump for a period of 10 seconds.  
 \*\*In line with Health Authority recommendations heater will not operate over 45°C.  
 \*\*\*Capable of pumping 70°C, not recommended for spa bath applications.  
<sup>†</sup> Voltage protection feature isolates pump when voltage is outside of set parameters.

## Technical Data

Pump model	Standard pumps				Hot pumps				
	237	238	239	240	237	238	239X0	239X1	240X1
Power Supply lead (Amps)	10	10	10	10	10	10	10	15	15
Agency listings*	AS/NZ, CE, GS*, CCC, KETI*								
Electrical Standards	AS/NZS 3136								
IP rating to AS60529	IP X5				IP X5				
Approval #	V42				V42				
emc approval	yes				yes				
emc approval #	N1814				N1814				
Installation Zone	Zone 1 in accordance with AS/NZS 3000								
Ventilation requirements	50 sq.cm in accordance with AS/NZS 2023								
Power Supply (Volts)	220 - 240								
Frequency (Hertz)	50								
Motor type	single phase, thermally protected, TEFC, continuously rated, Class B temp rise, Class B insulation								
Nominal Horsepower	3/4	1	1 1/4	1 1/2	3/4	1	1 1/4	1 1/4	1 1/2
Motor input power (P <sub>1</sub> )	700W or 1HP	950W or 1.2HP	980W or 1.3HP	1350W or 2HP	700W or 1HP	950W or 1.2HP	980W or 1.3HP	980W or 1.3HP	1350W or 2HP
Motor output power (P <sub>2</sub> )	560W or 3/4HP	665W or 0.9HP	710W or 1HP	1040W or 1.4HP	560W or 3/4HP	665W or 0.9HP	710W or 1HP	710W or 1HP	1040W or 1.4HP
Heater Module	-	-	-	-	1.4 kW	1.4 kW	1.3 kW	2.2 kW	1.6 kW
Starting Current (Amps)	10	18	18	22	10	18	18	18	22
Full Load Current (Amps)	2.7	4.1	4.3	5.9	8.3	9.7	9.8	13.5	12.5
Pump weight (kg)	5.9	8.8	10.4	10.4	6.7	9.6	9.6	9.6	11.2
Packed weight (kg)	7.5	10.3	12	12	8.2	11.2	11.2	11.2	12.7
Carton Dimension (L x W x H)	427 x 144 x 260			523 x 218 x 260	427 x 144 x 260				523 x 218 x 260
Pipe Inlet - Horizontal	5° swivel union to suit: 40 mm PVC pipe to AS/NZS 1477								
Pipe Outlet - Horizontal	5° swivel union to suit: 40 mm PVC pipe to AS/NZS 1477								
Air tube (air switch version)	6 metres x 3 mm internal								
Data cable (Bathmaster versions)	-	-	-	-	-6 metres x 6 pin connector				
Data cable (Bathtronic versions)	-	-	-	-	-6 metres x 4 pin connector				

\*applicable to certain models, contact Onga for assistance. Grey column = ceased production.

Your Single Source Solution

p 714.384.0384 | f 174.384.0385 | email: info@balboawater.com

We reserve the right to change technical data without further notice. No copies authorised. All rights reserved. ©2013 Balboa Water Group.



The following information is excerpts from the owners manual. Complete information is available in the owners manual.

## Installation Zone: Zone 1, in accordance with AS/NZS 3000:2000 Standard

### CAUTION

The Onga Hydromassage pumps have been specifically designed for use in spa baths (Whirlpools). They should not be used for any other purpose without first consulting your Onga dealer or Onga representative.

The Onga Hydromassage pump is NOT a self priming pump. Ensure there is sufficient water to completely fill the pump casing (flooded suction) before operating the pump.

Do not use the pump if there is a possibility that the water in the pump is frozen.

Hot Pumps: The spa bath (whirlpool) heater element is not recommended for use in chemically treated water.

Europe; incorporate a heater element which is suitable for spa pool (Hot Tub).

### Spa Pump Position

#### CAUTION

To avoid water damage to property from leaking connections or normal wear, the pump must be installed on a well drained site or a properly constructed drain tray. (Do not submerge in water)

If the pump is supplied separately to the spa bath, position the pump as close as possible to the spa. This will ensure optimum spa performance.

### Pump Installation:

- The pump mount must be Solid - Level - Rigid - Vibration free (to reduce vibration and pipe stress, bolt the pump to the pump mount).
- Install the pump suction inlet higher than bath suction fitting. (Refer Fig. 1.) This allows the pump to drain completely when the bath is emptied in accordance with Local Health Regulations.
- Ensure suction pipe has an even rise from the spa bath (Whirlpool) suction inlet to avoid air locks (otherwise the spa pump may not prime). (Refer Fig. 1)
- Ensure discharge pipe has an even rise from the pump

to the spa bath (Whirlpool) connection to avoid air locks.

- Protect pump from excess moisture, external weather (where applicable).
- Allow adequate access for servicing pump & piping.

### Ventilation

- Provide adequate ventilation to prevent the motor from overheating (minimum area is 50cm<sup>2</sup>). Without adequate ventilation the pump motor may overheat causing the pump to stop.
- The hydromassage pumps are suitable for exposure to the weather. For extended pump life, a protective cover is recommended.

### Piping

#### CAUTION

The fittings on these hydromassage pumps are constructed of ABS. Some PVC jointing compounds are incompatible with ABS possibly causing failure to the product. Check compound suitability prior to use.

For best pump efficiency use the least amount of fittings. Onga hydromassage pumps are supplied complete with integrated multidirectional (5°) barrel unions to allow easy installation of pipework. Use as follows for leak-free connections to pump:

1. O-Ring and sealing surfaces must be clean.
2. Ensure O'Ring remains on barrel unions and tighten **Hand Tight only!** (NO WRENCHES).
3. No pipe compound or teflon tape on unions.
4. Bond pipe to unions with a compatible PVC/ABS solvent cement suitable for maximum pump pressures.
5. When appropriate fill the bath with water and check that there are no visible leaks from the plumbing joints. Start the pump and repeat this step.

Figure 1

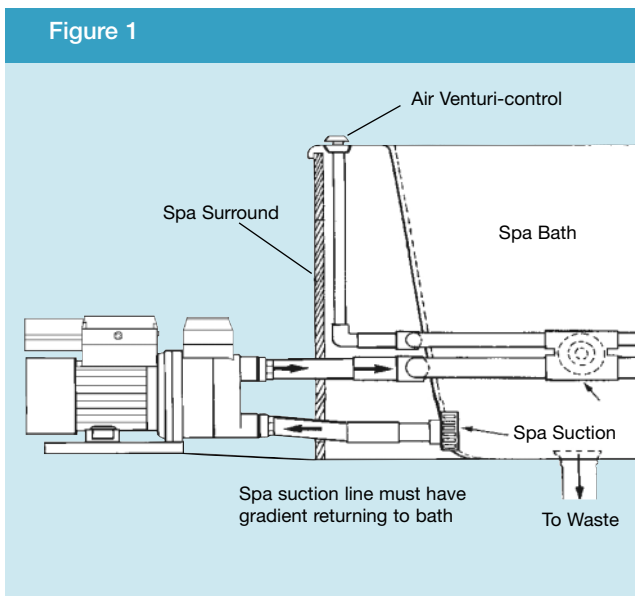
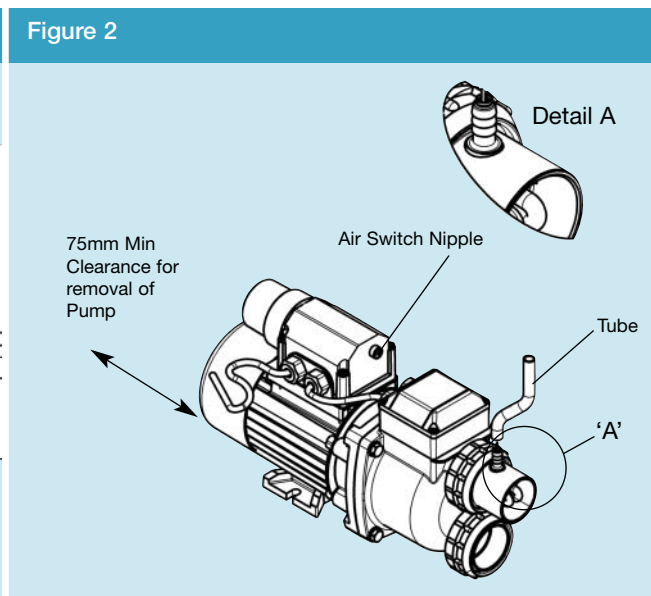


Figure 2



The following information is excerpts from the owners manual. Complete information is available in the owners manual.

### Air Bleed Valve (where fitted)

Certain Onga 200 series Hydromassage pumps are fitted with an air bleed valve. If the pump is installed exactly as per Fig. 1 this valve will not be required to be made functional (the air bleed valves are sealed at time of manufacture).

For automatic air venting cut the top of the valve off at the cut groove found approximately 3.5mm from top of the valve as per Fig. 2 using a pair of side cutters. DO NOT use pliers. The air bleed valve will now expel air.

As it is common for air valves to squirt water when sealing (each time the pump is turned on), Onga recommends that a 10mm drain tube to be fitted over the barbed section of the air bleed valve to allow excess water to drain to waste. (Refer Fig. 2)

### Electrical Connection



Onga advises that an earth leakage or residual current protection device must be fitted to all installations, rated residual operating current not exceeding 30mA.

Exactly match supply voltage to name plate voltage 220-240 Volt 50Hz (single phase only). Onga advises that a voltage surge protector be fitted as voltage spikes or incorrect voltage can cause fire or seriously damage the motor which is not covered by your Onga warranty!

Onga 200 series hydromassage pumps are suitable for connection to 220-240 Volt 50 Hz power outlets.

Some models will require a 15 amp power outlet, check motor label for details.

Electrical supply must conform to local/national electrical standards. Pump and motor must not be accessible to the bath user.

Pump must be installed in the correct zone, refer technical data on Page 3. Equipotential Bonding must be carried out.

#### NOTE:

**The power supply cord must only be replaced with an original power supply cord by the Manufacturer, an authorised Service Agent or a suitably qualified person. Warranty is void if unauthorised modifications are made to any component. The plug may be accessible for service reasons but must not be accessible to the user in the bath.**

Test reference pressure measured at 6 metres Total Head.

### Pump Operation



**Never run pump dry! Running pump dry may damage seals, causing leakage and flooding!**

Before filling and starting your spa bath (Whirlpool), ensure that the spa bath (Whirlpool) is free from debris or foreign material as irregular pump conditions may occur.

Before switching on, fill the bath to a minimum 50mm above the spa jets.

**NOTE: HOT PUMPS; To ensure that the over temperature sensor does not activate whilst filling the bath and thus preventing the pump heater from operating, fill the bath with cold to luke warm water until water level reaches the suction cover.**

Water temperature greater than 40°C may make the heating element inactive.



**Hazardous voltage. Can shock, burn, or cause death.**  
Ground pump before connecting to power supply



**Hazardous suction. Can trap hair or body parts, causing severe injury or death.**  
Do not block suction.

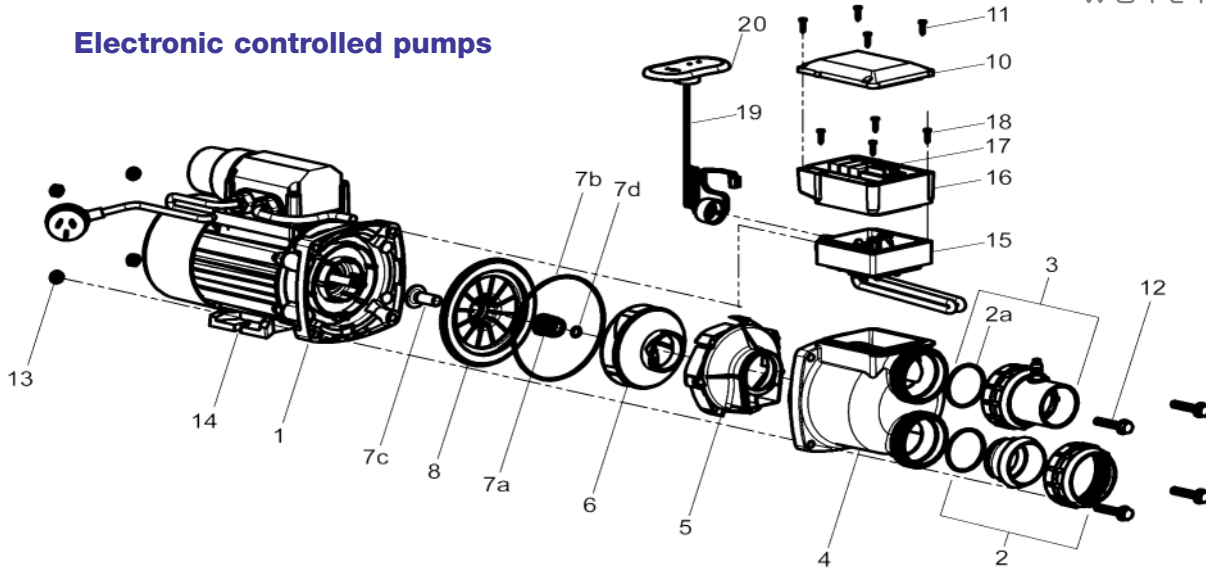


**Too much heat can cause nausea, dizziness, fainting or death.**  
Check temperature before using bath.

Figure 3

Figure 4

Electronic controlled pumps



Items with suffix K are packaged for display

Model
Part number
Description
Heater Module
Ceased Production

Bathtronic®					Bathmaster®				
237	238	239 10A	239 15A	240 15A	237	238	239 10A	239 15A	240 15A
23730100	23830100	23930100	23931100	24031100	23720100	23820100	23920100	23921100	24021100
3/4 hp	1 hp	1 1/4 hp	1 1/4 hp	1 1/2 hp	3/4 hp	1 hp	1 1/4hp	1 1/4hp	1 1/2 hp
1.4kW	1.4kW	1.3kW	2.2kW	1.6kW	1.4kW	1.4kW	1.3kW	2.2kW	1.6kW
June 2005	June 2005	June 2005	June 2005	June 2005				June 2005	

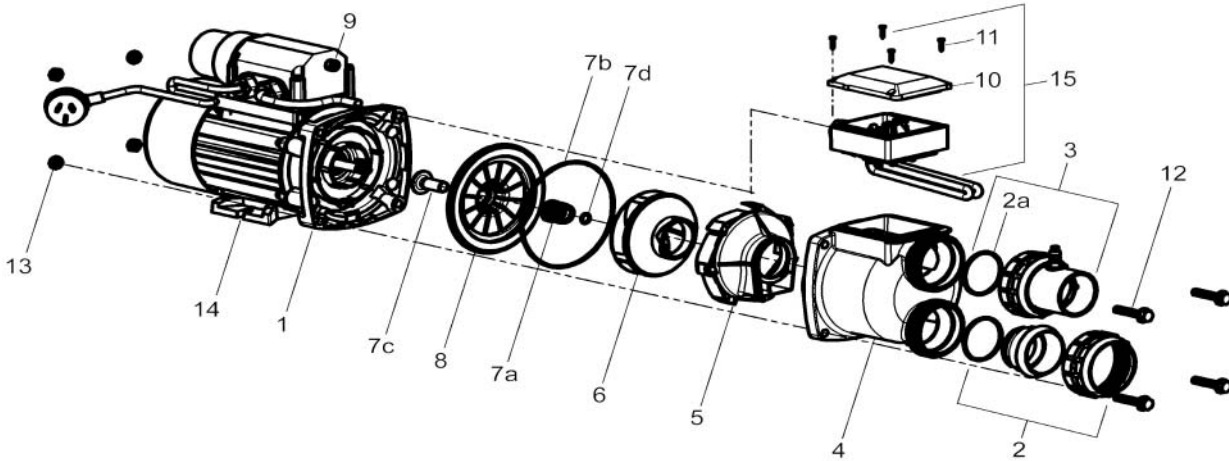
Item	Description	Qty
1	Motor	1
2	Nut, Tail & O'ring Kit	1
2a	O'ring - Barrel Union (Pack of 4)	2
3	Tail & Airbleed Assy.	1
4	Casing	1
5	Diffuser	1
6	Impeller	1
7	Seal Kit (Incl. Seal + Items 7b, c & d)	1
7a	Seal (Pack of 25)	1
7b	O'ring - Casing	1
7c	Shaft Sleeve	1
7d	O'ring - Shaft Sleeve (Pack of 10)	1
8	Baffle	1
9	O'ring - Lid (Not Shown)	1
10	Lid	1
11	Screws - Lid (Set of 10)	8
12	Screws - Casing (Set of 10)	4
13	Nuts (Set of 12)	4
14	Base & Screws Kit	1
15	Heater Module Assy.	1
	Electronic Service Kit	1
	Screw - Heater Module (Not Shown)	4
16	Base - PCB	1
17	PCB	1
18	Screw - Base to Heater Module	4
	Screw - PCB (Pack of 10)(Not Shown)	2
19	Signal Lead - 6 Metres	1
20	Touchpad Kit	
	White	1
	Chrome	1
	Gold	1
	Ivory	1
	Motor Lead - 4 Core (Not Shown)	1

Part number									
801321		801322	801336	801321			801322	801336	
801216K									
702232K									
509790									
303930									
303750									
508020	510810	507910	509740	508020	510810	507910	509740		
800913K									
800901									
702239K									
607800									
702196K									
303760K									
702260									
305440									
800607									
800399									
800163K									
800532									
801325		801326	801334	801327			801328	801335	
Includes HTR module, PCB, T/Pad, Decal			801395						
800607									
305430									
801323K					801324K				
800607					800607				
801329					801330				
(includes Onga decal, data lead and kidney shaped escutcheon)									
1069000					1070000				
1069003					1070003				
1069004					1070004				
1069015					1070015				
Bathmaster version 2 components to be ordered separately, refer price list									
608600									

Quantity column indicates maximum number of individual items per service repair. The part number given is for singular units unless otherwise stated in the item description. Drawings are indicative only, product appearance may change slightly. Grey column = ceased manufacture June 2005



**Air switch controlled pumps**



Items with suffix K are packaged for display

Model	Standard pumps				Hot pumps				
	237	238	239	240	237	238	239 10A	239 15A	240 15A
Part number	23780100	23880100	23980100	24080100	23710100	23810100	23910100	23911100	24011100
Description	3/4 hp	1 hp	1 1/4 hp	1 1/2 hp	3/4 hp	1 hp	1 1/4 hp	1 1/4 hp	1 1/2 hp
Heater Module					1.4kW	1.4kW	1.3kW	2.2kW	1.6kW
Ceased Production								June 2005	

Item	Description	Qty	Part number							
1	Motor	1	800710		801214	800709	800709	800709	801337	801338
2	Nut, Tail & O'ring Kit	1	801216K							
2a	O'ring - Barrel Union (Pack of 4)	2	702232K							
3	Tail & Air Bleed Assy.	1	509790							
4	Casing	1	303930							
5	Diffuser	1	303750							
6	Impeller	1	508020	510810	507910	509740	508020	510810	507910	509740
7	Seal (Pack of 25)	1	800901							
7a	Seal Kit (Incl. Seal + Items 7b, c & d)	1	800913K							
7b	O'ring - Casing	1	702239K							
7c	Shaft Sleeve	1	607800							
7d	O'ring - Shaft Sleeve (Pack of 10)	1	702196K							
8	Baffle	1	303760K							
9	Airswitch	1	302471K					302470		
10	Lid	1	407780			407790				
11	Screws - Lid (Set of 10)	4	800607							
12	Screws - Casing (Set of 10)	4	800399							
13	Nuts (Set of 12)	4	800163K							
14	Base & Screws Kit	1	800532							
15	Heater Module Assy.	1	-	-	-	-	408358	408357	408356	
	Lead w/ 3-pin Plug	1	608080					608340	608340	
	Lead Kit : 3-Core (Not Shown)	1	801332							

Quantity column indicates maximum number of individual items per service repair. The part number given is for singular units unless otherwise stated in the item description. Drawings are indicative only, product appearance may change slightly. Grey column = ceased manufacture June 2005

The following information is excerpts from the owners manual. Complete information is available in the owners manual.

**CAUTION**

Onga stands by its quality products, however if a fault occurs and cannot be rectified by following the trouble shooting guide as set out below, please contact onga on **1800 664 266** (Australia) or **0800 664 269** (New Zealand) where our locator service will direct you to your nearest sales stockist or service agent.

**Please be aware that a service fee will be applicable if a fault occurs other than that as described in the product guarantee as being due to defects in materials or faulty manufacture.**

Pump service should be performed by suitably qualified personnel.

Always unplug power lead prior to service to prevent personal injury.

## Trouble Shooting - all models

Symptom	Cause	Remedy
Pump does not start.	No Power at power point	Use another known good electrical appliance to check power outlet.
	Blown fuse	Check fuse and replace if required
	Automatic thermal overload has tripped to protect the motor	<ul style="list-style-type: none"> <li>- Check motor cooling and ensure adequate ventilation. Allow motor to cool then restart pump.</li> <li>- Ensure the pump is not jammed with debris or foreign material and motor is able to spin freely.</li> <li>- Motor is operating with low voltage supply.</li> </ul> <p><b>WARNING Continued operation with this symptom may result in permanent damage.</b></p>
	Pump is jammed (check if shaft is free to rotate).	<ul style="list-style-type: none"> <li>- Pump is blocked with foreign material. Clear debris and foreign material from pump and ensure that the pump is able to spin freely.</li> <li>- Bearings seized. Contact Service Technician.</li> </ul>
Pump starts but no water coming from spa jets	Pump not installed at correct level in relation to the spa suction (refer Fig 1)	Confirm correct installation with the installer.
	Water level too low.	Ensure water level is at least 50mm above the level of the jets prior to operating the pump.
Pump starts then stops	Automatic thermal overload has tripped to protect motor	<ul style="list-style-type: none"> <li>- Check motor cooling and ensure adequate ventilation. Allow motor to cool then restart pump.</li> <li>- Ensure the pump is not jammed with debris or foreign material and motor is able to spin freely.</li> <li>- Motor is operating with low voltage supply.</li> </ul> <p><b>WARNING Continued operation with this symptom may result in permanent damage.</b></p>
Bath water temperature drops when pump & spa jets are operating normally.	No Heater element.	This is normal in the standard pumps, models 2378, 2388, 2398 and 2408.
	Heater module does not operate.	Contact service technician.
	Heater module is too small for the capacity of the bath.	Confirm capacity of the heater module

The following information is excerpts from the owners manual. Complete information is available in the owners manual.

## Trouble Shooting - air switch models

Symptom	Cause	Remedy
Pump does not start	Faulty air button on side of bath.	Ensure air button is able to give a "pulse of air".
	Airtube is dislodged or kinked.	Check that the air tube is connected to pump and the air button and is not kinked so that it allows a free flow of air.
	Airtube is blocked.	Ensure that the airtube is clear and can pass air freely.
	Faulty Air switch in pump.	Contact service technician.
Pump will not turn off.	Faulty air button on side of bath.	Ensure air button is able to give a "pulse of air".
	Airtube is dislodged or kinked.	Check that the air tube is connected to pump and the air button and is not kinked so that it allows a free flow of air.
	Airtube is blocked.	Ensure that the airtube is clear and can pass air freely.
	Faulty air switch in pump.	Contact service technician.

## Trouble Shooting - electronic models (Bathmaster)

Symptom	Cause	Remedy
Pump does not start.	Low voltage conditions (green power light is flashing on the Touchpad).	Periodically retry "jets" button as unit will start to work once voltage supply returns to an acceptable level.
	Pump in "lock-out" mode (green light on the touchpad is flashing).	Wait for all flashing lights on the touchpad to stop, then activate the "JETS" button.
	The electronic touchpad system is faulty.	Contact your local service technician.
Pump starts then stops.	Pump has not achieved prime.	Ensure pump and suction line are clear of any debris and blockages.
		Ensure the water level is at least 50mm above the height of the jets.
		Ensure that there are no air leaks in the suction line.
Pump stops during normal operation.	Pump has lost prime	Ensure pump and suction line are clear of any debris and blockages.
	Pump has cut out on Low/High voltage conditions.(power light is flashing Red/Green on touchpad).	Periodically retry "JETS" button as unit will start to work once voltage supply returns to an acceptable level.
Bathmaster <b>Plus</b> Blower does not start.	Data cable / Signal cable not correctly inserted or damaged.	Check cable connection and replace if required.
	Button not pressed firmly.	Repeat operation sequence.
	<b>For further troubleshooting; refer Whispair <b>Plus</b> blower owners manual.</b>	

# offices<sub>world-wide</sub>

BALBOA WATER GROUP  
[www.balboawater.com](http://www.balboawater.com)

Corporate Office, Tustin, California  
**Electronic Manufacturing**  
1382 Bell Avenue  
Tustin, California 92780  
P 714.384.0384  
F 714.384.0385

Valencia, California  
**Plastics, Pumps and Assembly**  
28545 Livingston Avenue  
Valencia, California 91355  
P 714.384.0384  
F 714.384.0385

Varde, Denmark  
**European Sales Division**  
Roustvej 50  
DK-6800 Varde, Denmark  
P +45.75.22.46.88  
F +45.75.22.52.45

Melbourne, Australia  
**Australian Sales Division**  
WFDS Pty Ltd  
47-53 Hallam Valley Road  
Dandenong South VIC 3175  
P (03) 9793 8111  
F (03) 9793 0211

